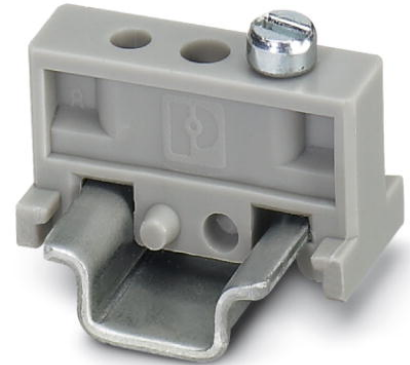


E/MBK

Order No.: 1401637

<http://eshop.phoenixcontact.de/phoenix/treeViewClick.do?UID=1401637>

End bracket, width: 6.2 mm, color: gray

Commercial data

| | |
|--------------------------|--------------------|
| EAN | 4017918020484 |
| Pack | 100 Pcs. |
| Customs tariff | 39269097 |
| Weight/Piece | 0.001651 KG |
| Catalog page information | Page 356 (CL-2007) |

Product notesWEEE/RoHS-compliant since:
01/01/2003

<http://www.download.phoenixcontact.com>
Please note that the data given here has been taken from the online catalog. For comprehensive information and data, please refer to the user documentation. The General Terms and Conditions of Use apply to Internet downloads.

Technical data**General data**

| | |
|----------|--------------------|
| Height | 11.4 mm |
| Length | 22 mm |
| Width | 6.1 mm |
| Material | PA |
| Coating | 3.2 mm fixing hole |

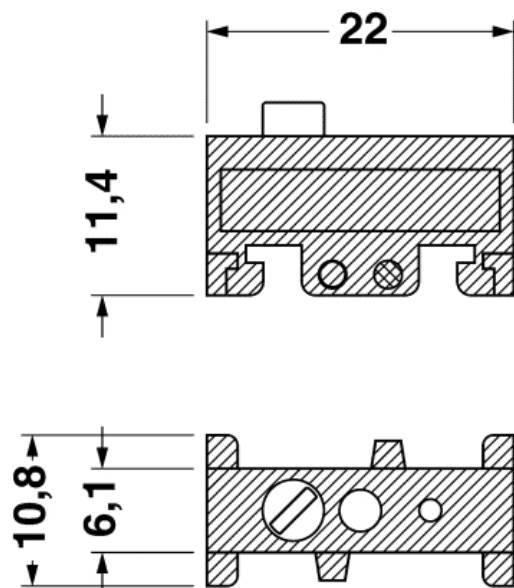
| | |
|------------------------------------|------|
| Color | gray |
| Inflammability class acc. to UL 94 | V2 |

Accessories

| Item | Designation | Description |
|-----------------|----------------------|---|
| Assembly | | |
| 1401763 | NS 15 AL PERF 2000MM | DIN rail, material: Aluminum, perforated, height 5.5 mm, width 15 mm, length: 2 m |
| 1401682 | NS 15 PERF 2000MM | DIN rail, material: steel, perforated, height 5.5 mm, width 15 mm, length: 2 m |
| 1401695 | NS 15 UNPERF 2000MM | DIN rail, material: Steel, unperforated, height 5.5 mm, width 15 mm, length: 2 m |

Drawings

Dimensioned drawing



Address

PHOENIX CONTACT GmbH & Co. KG
Flachsmarktstr. 8
32825 Blomberg, Germany
Phone +49 5235 3 00
Fax +49 5235 3 41200
<http://www.phoenixcontact.de>



© 2008 Phoenix Contact
Technical modifications reserved;